

Kidde ECS Fire Suppression System Component Description



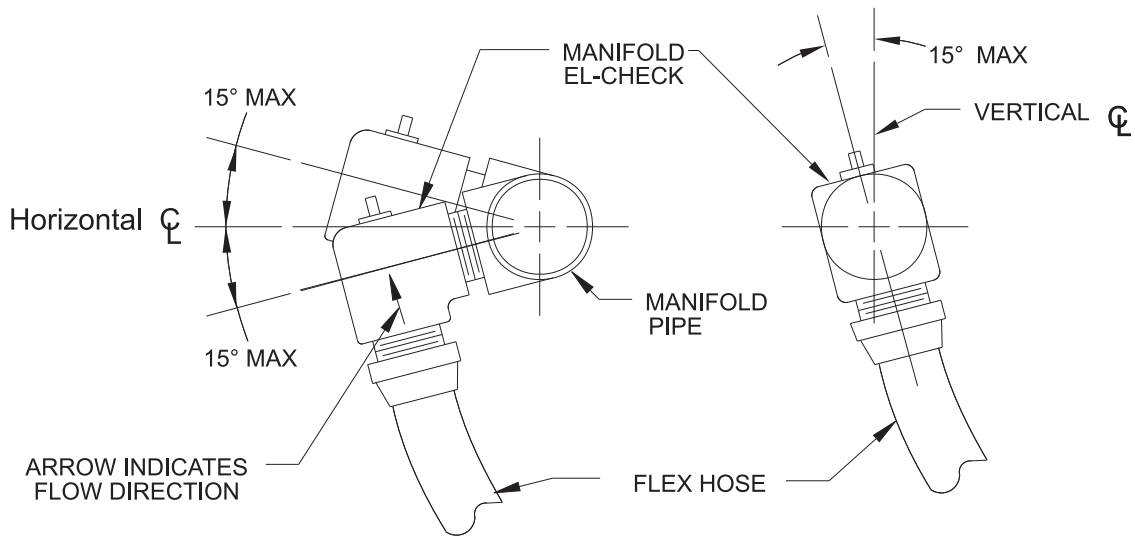
Effective: June 2014

K-90-2131 Rev BA

Typical Installation of EI-Check

FEATURES

- See Kidde® Manual 06-236225-001 for USCG Approval
- RoHS Compliant



Note: Install EI-Checks so that the arrow is in the direction, as indicated.

The EI-Check may be adjusted, as shown, to obtain a smooth radius for a Flexible Discharge Hose.

COMPATIBILITY

Series	For Use With
Kidde ECS HFC-227ea	X
Kidde ECS Advanced Delivery FM-200®	X

This literature is provided for informational purposes only. KIDDE-FENWAL, INC. assumes no responsibility for the product's suitability for a particular application. The product must be properly applied to work correctly. If you need more information on this product, or if you have a particular problem or question, contact KIDDE-FENWAL, Inc.

FM-200 is a registered trademark of E.I. du Pont de Nemours and Company. Kidde is a registered trademark of Kidde-Fenwal Inc. All other trademarks are the property of their respective owners.